

4.9 Cubic Foot Refrigerator

Use of the 4.9 cu. ft. Refrigerator

This refrigerator is offered as an economical alternative to Manning's standard 6.1 cubic foot (cu. ft.) refrigerator for single bottle applications in conditions where the sampler is protected from the elements, indoor, or in a shelter. The 4.9 cu. ft., however, is not only in the price of the unit, but also in the energy saved. Under normal use, this unit should only consume an estimated 316 kWh per year for an estimated yearly operating cost of about \$14.78!*

When compared with similar models rated at between 383–436 kWh per year, the savings is clear. The selection of this refrigerator ensures you will save money at the time of purchase and will continue to save money over the life of the unit due to the energy-saving design. Intended for sheltered, indoor,



Manning Model S-5000 Sampler on an 4.9 cu. ft. Refrigerator

or protected environment applications, this clever choice will appeal to the money-saving measures needed to survive today's budget cuts and cost-reduction programs.

The 4.9 cu. ft. refrigerator will maintain the EPA-recommended temperature of 32–39° F (0–4° C) within the ambient air temperature range listed in the specifications below. It can be used with Manning S-5000, VSR, or YB8 *single bottle (composite)* samplers.

- Note:**
- If this refrigerator is replacing a Manning 6.1 cubic foot model, it is necessary to elevate the bottle approximately 10 inches so the discharge tube and bottle full sensor will reach the bottle opening.
 - Mounting remains the same as the standard 6.1 cu. ft. refrigerator for Models VSR and YB samplers. However, different mounting bars are required for the Model S-5000.

Full One-year Warranty on 4.9 cu. ft. Refrigerator

When this refrigerator is operated and maintained in accordance with the operating manual provided, Manning will repair or replace, free of charge, any defective materials or workmanship for one year from the date of shipment. Repair or replacement under warranty is at our discretion and does not extend the warranty past one-year from the original date of shipment.

This warranty applies only while this product is operated in the United States. This warranty gives you specific rights; you may also have other rights, which vary from state to state.

Refrigerator Part Numbers

Part Number	Description	Option
889015	Refrigerator, 4.9 cu. ft. S-5000	D
889016	Refrigerator, 4.9 cu. ft. VSR	8
889017	Refrigerator, 4.9 cu. ft. YB8	8

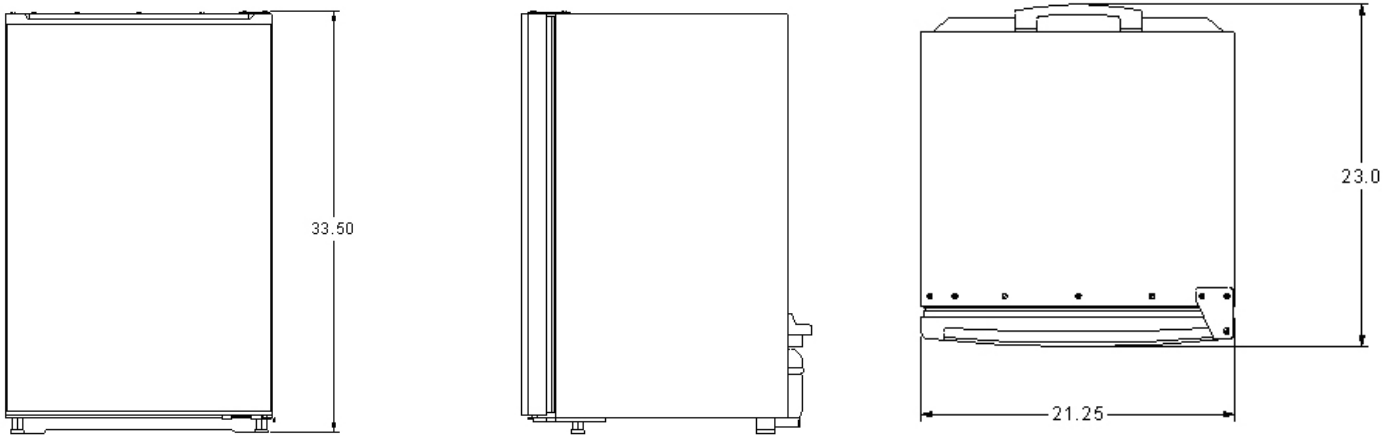


Manning Model VSR Sampler on an 4.9 cu. ft. Refrigerator

* Estimated yearly operating cost is based on a 2003 U.S. Energy Information Administration study that determined the national average cost of electricity for industrial consumers to be \$0.0468 per kWh. Your actual operating cost will vary depending on your local utility rates and your use of the product.

Specifications

Exterior Dimensions (approximate)	W 21.25" (53.98 cm) × H 33.5" (85.09 cm) × D 23" (58.42 cm)
Weight (dry)	50.5 lbs (22.91 kg)
Interior Capacity	4.9 cubic feet
Insulation	Cabinet—Polyurethane
Door	Polyurethane
Door Liner	Plastic
Exterior	Black enamel-coated steel
Compressor Output	1/20 HP
Refrigerant	R134A
Running Watts	70 to 100
Condenser	Static Air
Defrost	Cycle Automatic System
Ambient Temperature Range	40–110° F (4.44–43.34° C) Note: Ventilation recommended for temperatures above 100° F (37.78° C) to minimize heat generated by refrigerator.
Power Requirement	120 VAC, 60 Hz, and 0.9 A when running
Other	Corrosion-resistant coating applied to exposed copper tubing
Warranty	One year from date of shipment.



Refrigerator Reference Drawings

Headquarters and Sales:

Manning Environmental, Inc.
1968 South Austin Avenue
Suite 101
Georgetown, Texas 78626

Phone: (800) 863-9337
Fax: (512) 863-4472
Email: sales@manning-enviro.com
Web: <http://www.manning-enviro.com>

In the interest of improving and updating its equipment, Manning reserves the right to alter specifications to equipment at any time.