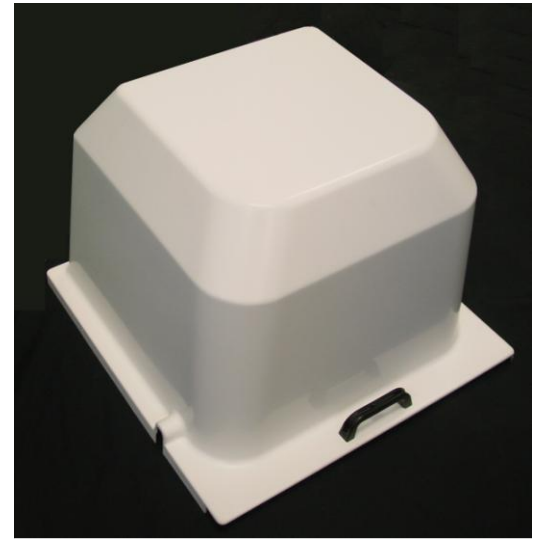


Fiberglass Hood for Refrigerated Samplers

◆ Added Environmental Protection

Sun and rain are the greatest enemies of any sampler in an outdoor situation. If a full enclosure is not feasible, the Manning refrigerator hood provides valuable environmental protection.

The fiberglass hood gives added defense from the elements, covering both the sampler and the top of the refrigerator to NEMA3R rating, thereby minimizing damage to the equipment from ultraviolet light and water. A gasket around the bottom of the hood keeps rain from blowing underneath.



Fiberglass Hood for Refrigerator

The fiberglass refrigerator hood protects the sampler and top of the refrigerator from sun and rain for Manning models VSR, and YB only. *

For protection against freezing temperatures, see the Manning NEMA 3R Full Enclosure with optional light, fan, and heater.

*Not available for use with 4.1 cu. ft. refrigerators



Manning



Manning Environmental, Inc.

101 Bar T Dr.

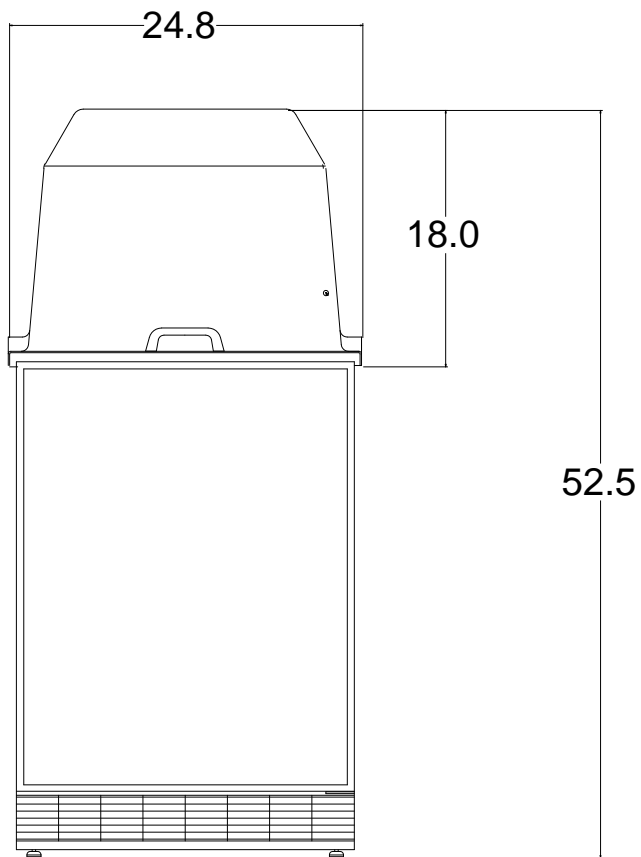
Florence, Texas 76527 USA

Office: (800) 863-9337

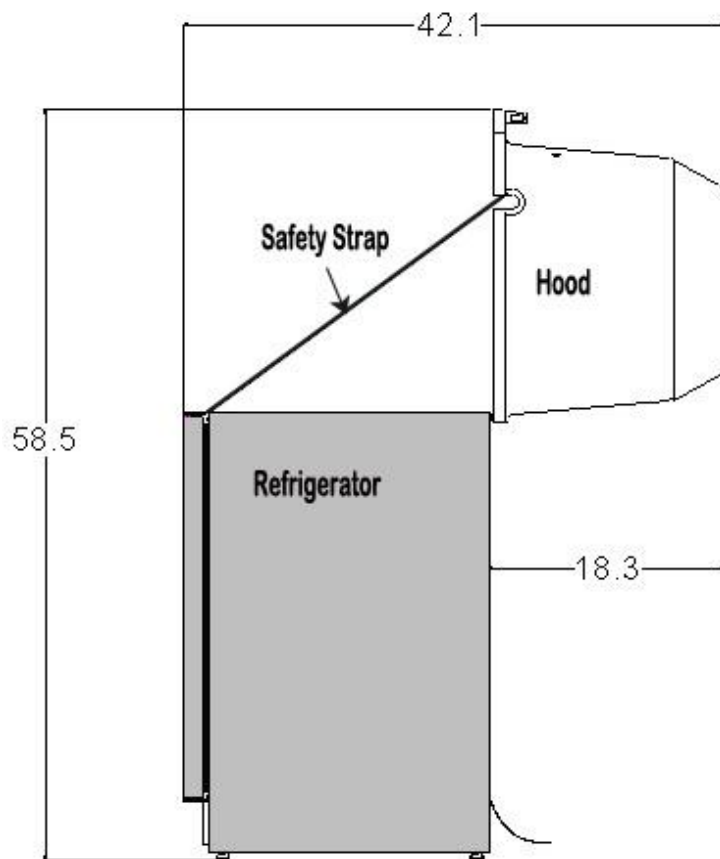
Fax: (254) 793-9965

E-Mail: sales@manning-enviro.com

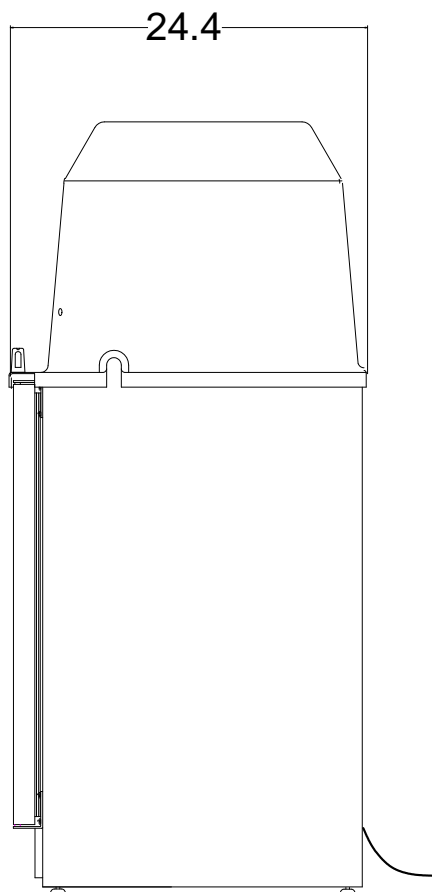
Web: www.manningenvironmental.com



Hood on Refrigerator Front View



Side View with Hood Open



Hood on Refrigerator Side View



Data Sheet:
Hood for Refrigerated Sampler
 10/02/2012
 V: 4.0

Headquarters and Sales:

Manning Environmental, Inc. Phone: (800) 863-9337
 101 Bar T Dr. Fax: (254) 793-9965
 Florence, Texas 76527 Email: sales@manning-enviro.com
 Web: <http://www.manningenvironmental.com>

In the interest of improving and updating its equipment, Manning reserves the right to alter specifications for equipment at any time.