

## Fiberglass Hood for Refrigerated Samplers

### ◆ Added Environmental Protection

Sun and rain are the greatest enemies of any sampler in an outdoor situation. If a full enclosure is not feasible, the Manning refrigerator hood provides valuable environmental protection.

The fiberglass hood gives added defense from the elements, covering both the sampler and the top of the refrigerator to NEMA3R rating, thereby minimizing damage to the equipment from ultraviolet light and water. A gasket around the bottom of the hood keeps rain from blowing underneath.

**The hood provides added protection from the elements.**



**Fiberglass Hood for Refrigerator**

The fiberglass refrigerator hood protects the sampler and top of the refrigerator from sun and rain for Manning models VSR, and YB only. \* For protection against freezing temperatures, see the Manning NEMA 3R Full Enclosure with optional light, fan, and heater.

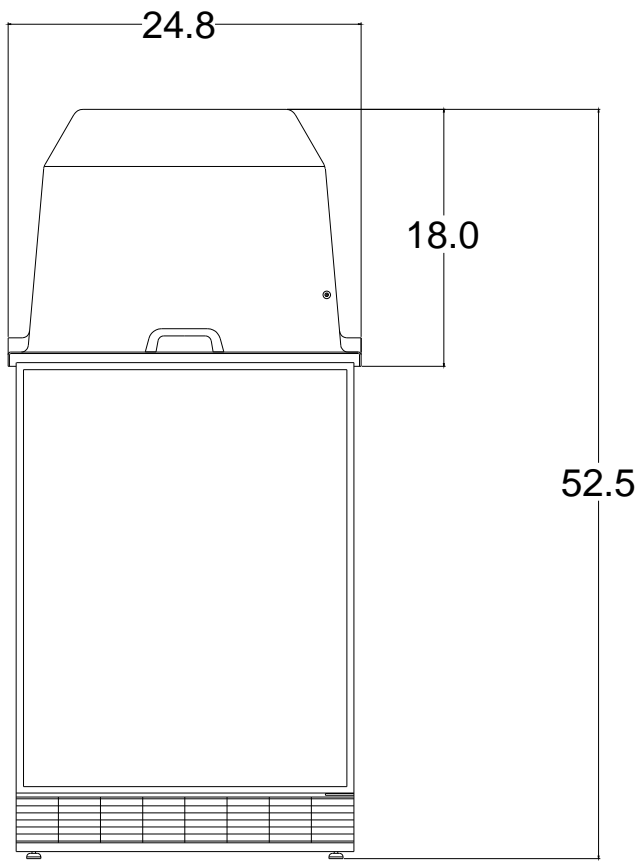
\*Not available for use with 4.9 cu. ft. refrigerators.

### Headquarters and Sales:

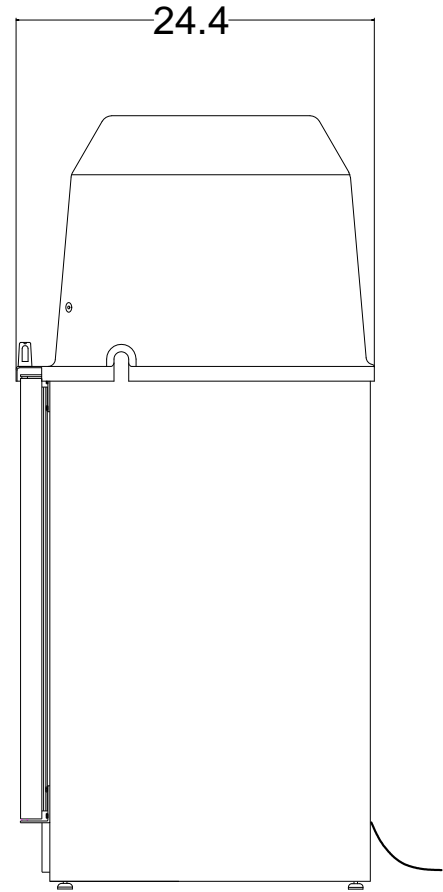
**Manning Environmental, Inc.**  
1968 South Austin Avenue  
Suite 101  
Georgetown, Texas 78626

Phone: (800) 863-9337  
Fax: (512) 863-4472  
Email: [sales@manning-enviro.com](mailto:sales@manning-enviro.com)  
Web: <http://www.manning-enviro.com>

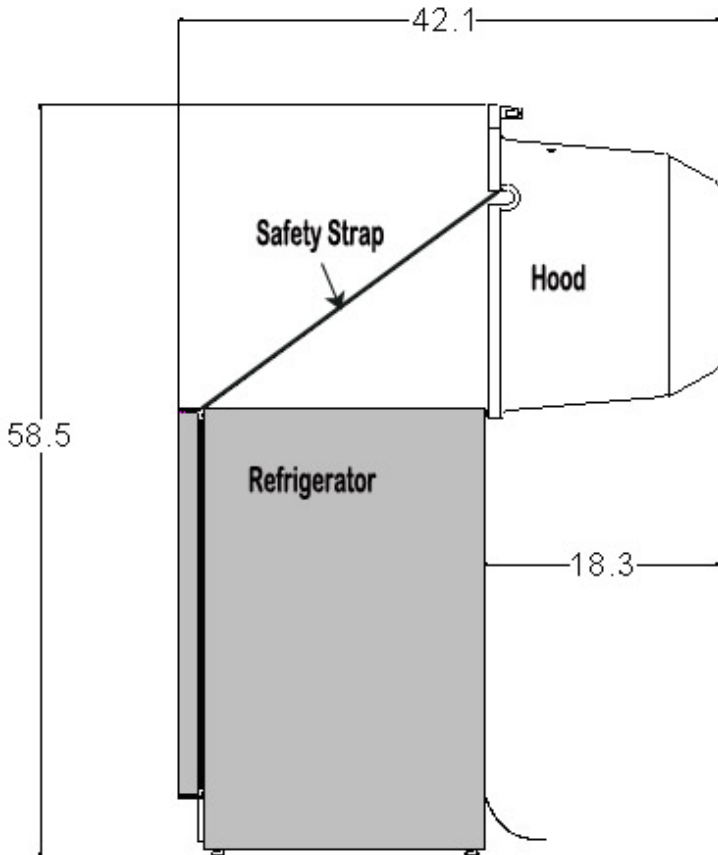
In the interest of improving and updating its equipment, Manning reserves the right to alter specifications to equipment at any time.



**Hood on Refrigerator Front View**



**Hood on Refrigerator Side View**



**Side View with Hood Open**

The hood opens to an angle of 90° for easy access to the sampler for maintenance or programming, and includes a safety strap to prevent the hood from opening too far.

**Headquarters and Sales:**  
**Manning Environmental, Inc.**  
 1968 South Austin Avenue  
 Suite 101  
 Georgetown, Texas 78626  
 Phone: (800) 863-9337  
 Fax: (512) 863-4472  
 Email: [sales@manning-enviro.com](mailto:sales@manning-enviro.com)  
 Web: [www.manning-enviro.com](http://www.manning-enviro.com)

*In the interest of improving and updating its equipment, Manning reserves the right to alter specifications to equipment at any time.*